

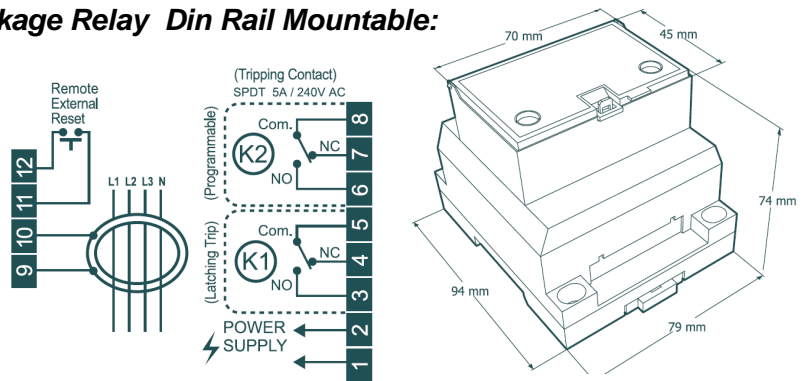
# PROTECTION RELAYS

## Earth Leakage Relay Din Rail Mountable:



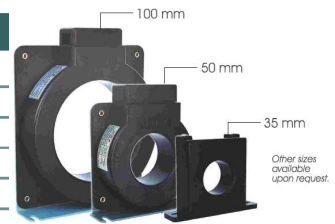
### Product Highlights - ELR TM-18c, TMI-18c

- True RMS measurement
  - Low set
  - High set
  - Operation hour recording
  - Fault and Trip LED indication
  - Trip value recording (3 memory)
  - Total trip count information
  - Self-reclosing / auto-reset \*
  - Programmable relay output
  - Programmable software lock
  - Din-rail or screw mount
- \* Self re-closing or auto-reset available upon request



### TECHNICAL DATA

|                      |                                 |
|----------------------|---------------------------------|
| Measurement          | True RMS Ampere                 |
| Power supply         | 240 VAC                         |
| Rated frequency      | 50 / 60 Hz                      |
| Output relay / Alarm | 5A / 250 VAC                    |
| Tripping contact     | SPDT 5A / 240 VAC               |
| Weight               | 320 g                           |
| Operating temp.      | 0° C ~ +55° C                   |
| Standard             | IEC : 61000-4-2/4-4/4-5/255-5:1 |



**Z.C.T. ZERO PHASE CURRENT TRANSFORMER**  
A ring type Zero Phase Current Transformer is used to detect and provide the continuous measurement of the leakage current.

### SETTING RANGE

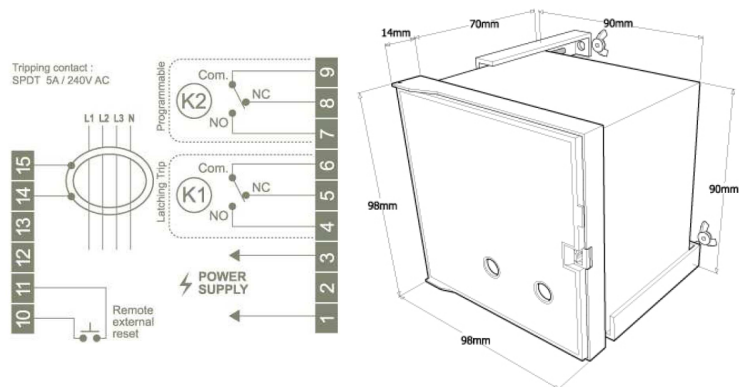
|                    |                                   |
|--------------------|-----------------------------------|
| Current Setting    | 0.03 ~ 30.0 Ampere                |
| Trip Time setting  | 0.05 ~ 10.0 (0.1 sec step)        |
| High-set           | OFF or 5 ~ 50 Ampere (5 Amp step) |
| High-set trip time | Fixed at 30 ms                    |

## Earth Leakage Relay Panel / Flush Mount



### Product Highlights - ELR TM-8000s

- True RMS measurement
  - Low set
  - High set
  - Operation hour recording
  - Fault & Trip LED indication
  - Trip value recording (3 memory)
  - Auto Z.C.T. connection check (open/short)
  - Total trip count information
  - Self re-closing / auto-reset \*
  - Programmable relay output
  - Programmable software lock
  - Flush mount
- \* Self-reclosing or auto-reset model available upon request



| TM-8000              |                                   |
|----------------------|-----------------------------------|
| TECHNICAL DATA       |                                   |
| Measurement          | True RMS Ampere                   |
| Power Supply         | 240 VAC                           |
| Rated frequency      | 50 / 60 Hz (Selectable)           |
| Output relay / Alarm | 5A / 250VAC                       |
| Tripping Contact     | SPDT 5A / 240 VAC                 |
| Weight               | 410g                              |
| Operating temp.      | 0° C ~ +55° C                     |
| Standard             | IEC : 61000-4-2/4-4/4-5/255-5:1   |
| SETTING RANGE        |                                   |
| Current Setting      | 0.03 ~ 30.0 Ampere                |
| Trip Time setting    | 0.05 ~ 10.0 (0.1 sec step)        |
| High-set             | OFF or 5 ~ 50 Ampere (5 Amp step) |
| High-set trip time   | Fixed at 30ms                     |