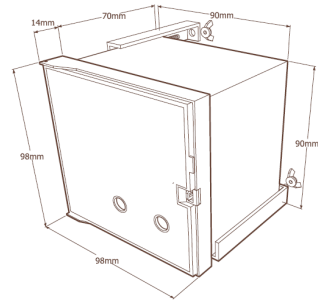
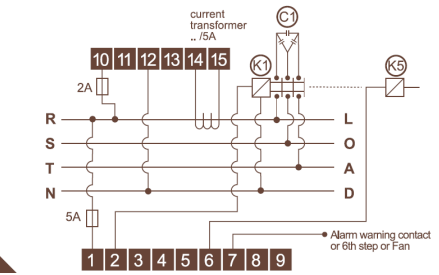




WIRING DIAGRAM



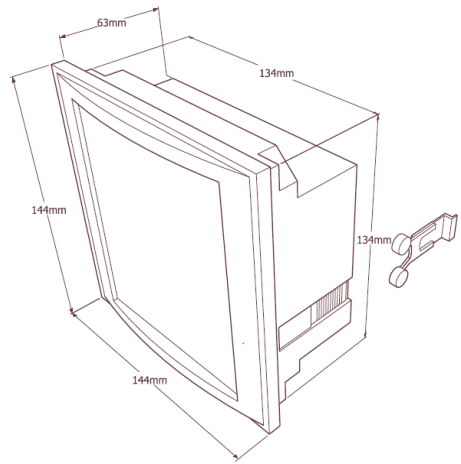
Panel cut-out : 92 x 92 mm

SETTING RANGE

| | |
|--------------------|-----------------------------|
| C/K value | Auto or 0.02 ~ 1.00 |
| Cos φ | 0.85 (ind) ~ 0.95 (cap) |
| Switching program | Auto or P-0 ~ P-6 or custom |
| Switching interval | 2 ~ 60 sec. |
| (V) > over voltage | OFF or 240 ~ 270 V |

TECHNICAL DATA

| | |
|----------------------|---------------------------------|
| Power supply | 240 VAC |
| Rated current | ./5A |
| Rated frequency | 47 ~ 63 Hz |
| Output relay / Alarm | 5A / 250 VAC |
| No voltage release | < 40 ms |
| Weight | approx. 460 g |
| Operating temp. | 0° C ~ +55° C |
| Standard | IEC : 61000-4-2/4-4/4-5/255-5:1 |



SETTING RANGE

| | |
|---------------------|-----------------------------|
| C/K value | 0.02 ~ 1.00 |
| Cos φ | 0.85 (ind) ~ 0.95 (cap) |
| Switching program | P-0 ~ P-6 or auto or custom |
| Switching interval | 2 ~ 60 sec. |
| Re-connection time | OFF or 1 ~ 250 sec. |
| Voltage (V) | OFF or 240 ~ 270 V |
| THD (%) current (I) | OFF or 20 ~ 100 % |
| THD (%) voltage (V) | OFF or 2.0 ~ 20.0 % |

WIRING DIAGRAM

